

CLAMPBRO®

WOODWORKER



10" TABLE SAW
MODEL NO: CTS16

PART NO: 6500748

**OPERATION & MAINTENANCE
INSTRUCTIONS**



LS0619 - ISS 2

INTRODUCTION

Thank you for purchasing this CLARKE product.

The table saw has been designed to use a 250 mm blade to perform the sawing operations of ripping, cross-cutting, bevelling and mitring wood and wood products.

Before attempting to use this product, please read this manual thoroughly and follow the instructions carefully.

GUARANTEE

This product is guaranteed against faulty manufacture for a period of 12 months from the date of purchase. Please keep your receipt which will be required as proof of purchase.

This guarantee is invalid if the product is found to have been abused or tampered with in any way, or not used for the purpose for which it was intended.

Faulty goods should be returned to their place of purchase, no product can be returned to us without prior permission.

This guarantee does not effect your statutory rights.

ENVIRONMENTAL RECYCLING POLICY



Through purchase of this product, the customer is taking on the obligation to deal with the WEEE in accordance with the WEEE regulations in relation to the treatment, recycling & recovery and environmentally sound disposal of the WEEE.






In effect, this means that this product must not be disposed of with general household waste. It must be disposed of according to the laws governing Waste Electrical and Electronic Equipment (WEEE) at a recognised disposal facility.

CONTENTS

The following items should be supplied in the carton. If any parts are missing, do not operate your table saw until the missing parts are obtained.

1 x Table Saw (main unit)	2 x Long Centre Brace
2 x Table Extension	2 x Short Centre Brace
4 x Support Strut	1 x Wrench
1 x Rip Fence (Parallel Fence)	1 x Saw Blade Spindle Key
1 x Mitre Fence	2 x Leg Support
1 x Mitre Guide Assembly	1 x Riving Knife,
1 x Guide Rail (with scale)	4 x Fixings Bags (A,B,C,D)
1 x Top Guard	4 x Leg, 4 x Rubber Foot
1 x Extraction Hose	1 x Crank Handle
1 x Saw Blade, (fitted)	1 x Operating Manual

SAFETY SYMBOLS

	Read this instruction booklet carefully before positioning, operating or adjusting the table saw.		Wear ear protection.
	Wear eye protection.		Wear a dust mask that is specially designed to filter microscopic particles.
	Keep bystanders away.		

GENERAL SAFETY INSTRUCTIONS



WARNING: WHEN USING ELECTRIC TOOLS BASIC SAFETY PRECAUTIONS SHOULD ALWAYS BE FOLLOWED TO REDUCE THE RISK OF FIRE, ELECTRIC SHOCK AND PERSONAL INJURY INCLUDING THE FOLLOWING. READ ALL THESE INSTRUCTIONS BEFORE ATTEMPTING TO OPERATE THIS PRODUCT AND SAVE THESE INSTRUCTIONS".

SAFE OPERATION

1. Keep work area clear

- Cluttered areas and benches invite injuries.

2. Consider work area environment

- - Do not expose tools to rain.
- - Do not use tools in damp or wet locations.
- - Keep work area well lit.
- - Do not use tools in the presence of flammable liquids or gases.

3. Guard against electric shock

- Avoid body contact with earthed or grounded surfaces (e.g. pipes, radiators, ranges, refrigerators).

4. Keep other persons away

- Do not let persons, especially children, not involved in the work touch the tool or the extension and keep them away from the work area.

5. Store idle tools

- When not in use, tools should be stored in a dry locked-up place, out of reach of children.

6. Do not force the tool

- It will do the job better and safer at the rate for which it was intended.

7. Use the right tool

- Do not force small tools to do the job of a heavy duty tool.
- Do not use tools for purposes not intended; for example do not use circular saws to cut tree limbs or logs.

8. Dress properly

- Do not wear loose clothing or jewellery, they can be caught in moving parts.
- Non-skid footwear is recommended when working outdoors.
- Wear protective hair covering to contain long hair.

9. Use protective equipment

- Use safety glasses.
- Use face or dust mask if working operations create dust.

10. Connect dust extraction equipment

- If the tool is provided for the connection of dust extraction and collecting equipment, ensure these are connected and properly used.

11. Do not abuse the cable

- Never yank the cable to disconnect it from the socket. Keep the cable away from heat, oil and sharp edges.

12. Secure work

- Where possible use clamps or a vice to hold the work. It is safer than using your hand.

13. Do not overreach

- Keep proper footing and balance at all times.

14. Maintain tools with care

- Keep cutting tools sharp and clean for better and safer performance.
- Follow instruction for lubricating and changing accessories.
- Inspect tool cables periodically and if damaged have them repaired by an authorized service facility.
- Inspect extension cables periodically and replace if damaged.
- Keep handles dry, clean and free from oil and grease.

15. Disconnect tools

- When not in use, before servicing and when changing accessories such as blades, bits and cutters, disconnect tools from the power supply.

16. Remove adjusting keys and wrenches

- Form the habit of checking to see that keys and adjusting wrenches are removed from the tool before turning it on.

17. Avoid unintentional starting

- Ensure switch is in "off" position when plugging in.

18. Use outdoor extension leads

- When the tool is used outdoors, use only extension cables intended for outdoor use and so marked.

19. Stay alert

- Watch what you are doing, use common sense and do not operate the tool when you are tired.

20. Check damaged parts

- Before further use of tool, it should be carefully checked to determine that it will operate properly and perform its intended function.
- Check for alignment of moving parts, binding of moving parts, breakage of parts, mounting and any other conditions that may affect its operation.
- A guard or other part that is damaged should be properly repaired or replaced by an authorized service centre unless otherwise indicated in this instruction manual.
- Have defective switches replaced by an authorized service centre.
- Do not use the tool if the switch does not turn it on and off.

21. Warning

- The use of any accessory or attachment other than one recommended in this instruction manual may present a risk of personal injury.

22. Have your tool repaired by a qualified person

- This electric tool complies with the relevant safety rules. Repairs should only be carried out by qualified persons using original spare parts, otherwise this may result in considerable danger to the user.

SAW BLADES

1. The maximum speed of the saw blade must always be equal to or greater than the no-load speed of the table saw as specified on the rating plate.
2. Do not use saw blades which are damaged or deformed.
3. Only use saw blades recommended by the manufacturer and which are the exact bore and diameter required for this machine. Do not use any spacers to make a blade fit onto the spindle. Use only the blades specified in this manual, which comply with EN 847-1.
4. Clean the spindle, flanges (especially the installing surface) and hex nut before installing the blade. Poor installation may cause vibration/wobbling or slippage of the blade.
5. Take care that the selection of the saw blade is suitable for the material to be cut.
6. Make sure the blade is not contacting the riving knife or workpiece before the switch is turned on.
7. Wear gloves when handling saw blades and rough material. Saw

blades shall be carried in a holder whenever practicable.

KICKBACK

Kickback is a sudden reaction to a pinched, bound or misaligned saw blade, it causes the workpiece to be ejected from the tool back towards the operator. Kickbacks can lead to serious personal injury.

You can avoid kickbacks by:

- a. keeping the blade sharp,
- b. keeping the rip fence parallel to the blade,
- c. keeping the riving knife and blade guard in place and operating properly,
- d. by not releasing the workpiece until you have pushed it all the way past the blade,
- e. not ripping a workpiece that is twisted or warped or does not have a straight edge to guide along the fence.

If you do not have a clear understanding of kickback and how it occurs, DO NOT operate this table saw!

REMAINING HAZARDS

The machine has been built in accordance with recognized safety rules. Some remaining hazards may still exist.

- The rotating saw blade can cause injuries to fingers and hands if the work piece is incorrectly fed.
- Thrown work pieces can lead to injury if the work piece is not properly secured or fed, such as working without a limit stop.

- Noise can be a health hazard. The permitted noise level is exceeded when working. Be sure to wear personal protective equipment such as ear protection.
- Defective saw blades can cause injuries. Regularly inspect the structural integrity of saw blades.
- The use of incorrect or damaged mains cables can lead to injuries caused by electricity.
- Remaining hazards can be minimized by following the instructions in the operating manual.

ELECTRICAL CONNECTIONS



WARNING: READ THESE ELECTRICAL SAFETY INSTRUCTIONS THOROUGHLY BEFORE CONNECTING THE PRODUCT TO THE MAINS SUPPLY.

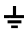
Connect the mains lead to a standard, 230 Volt (50Hz) electrical supply through an approved 13 amp BS 1363 plug, or a suitably fused isolator switch.

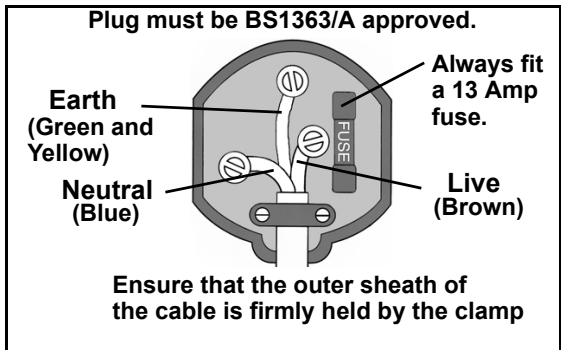
If the plug has to be changed because it is not suitable for your socket, or because of damage, it must be removed and a replacement fitted, following the wiring instructions shown below. The old plug must be discarded safely, as insertion into a power socket could cause an electrical hazard.



**WARNING: THE WIRES IN THE POWER CABLE OF THIS PRODUCT ARE COLOURED IN ACCORDANCE WITH THE FOLLOWING CODE:
BLUE = NEUTRAL BROWN = LIVE YELLOW AND GREEN = EARTH**

If the colours of the wires in the power cable do not agree with the markings on the plug.

- The BLUE wire must be connected to the terminal which is marked N or coloured black.
- The BROWN wire must be connected to the terminal which is marked L or coloured red.
- The YELLOW AND GREEN wire must be connected to the terminal which is marked E or  or coloured green.



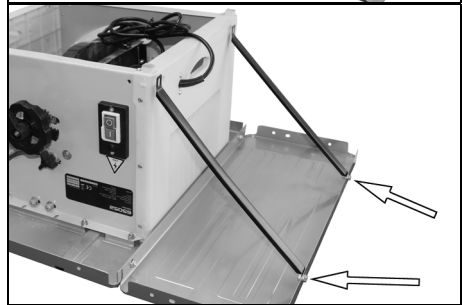
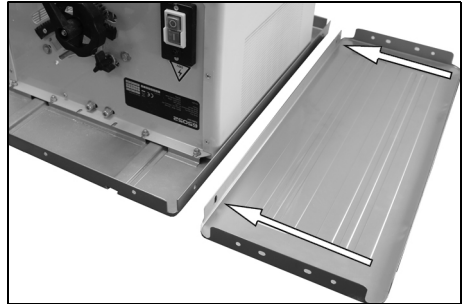
We strongly recommend that this machine is connected to the mains supply through a Residual Current Device (RCD)

If you are not sure, consult a qualified electrician. DO NOT try to do any repairs.

ASSEMBLY

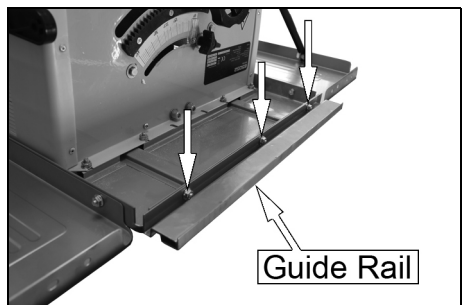
ATTACH THE EXTENSION TABLES

1. Turn the table saw upside down.
2. Fix the extension table to the table saw using two of the M6 x 12 bolts, washers and nuts supplied.
3. Fit two of the braces to the extension table using two of the the M6 x 12 bolts, washers and nuts supplied.
 - The end of the brace nearest to the table saw body will be connected later.
4. Put the remaining extension table on the other side of the table saw and repeat steps 2-3.



ATTACH THE GUIDE RAIL

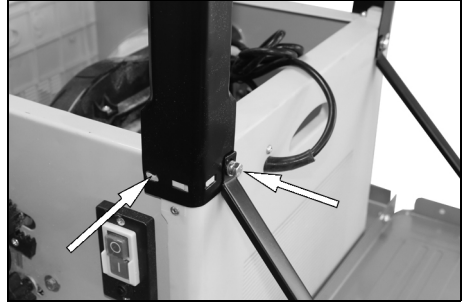
Attach the guide rail using 3 M6 x 12 bolts, washers and nuts.



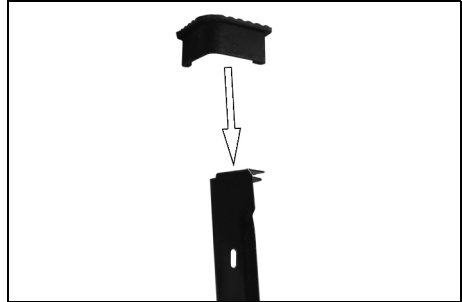
ATTACH THE LEG KIT TO THE TABLE SAW

1. Attach each leg to a corner of the table saw using two of the M6 x 16 bolts, washers and spring washers supplied.

- Note that one of the bolts also passes through the brace.

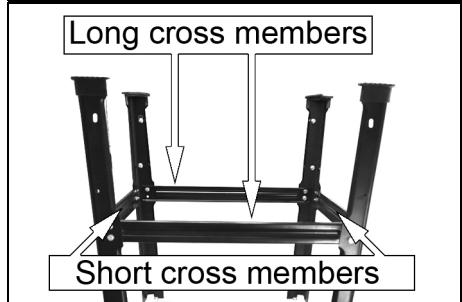


2. Fit the rubber feet to the legs.



3. Attach the cross members to the legs using 16 of the M6 x 12 bolts, washers and nuts supplied.

- The long cross members are placed front and rear.
- The short cross members are placed on the sides.



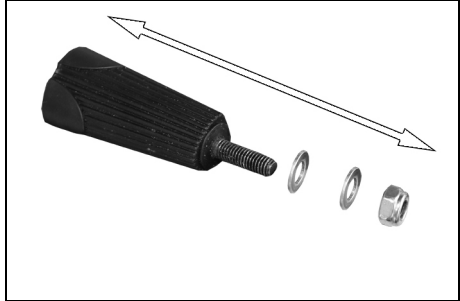
4. Attach the stabilisers to the rear legs using two of the M6 x 12 bolts, washers and nuts supplied.

5. Check that all bolts are tightened and then turn the table saw over onto the feet.

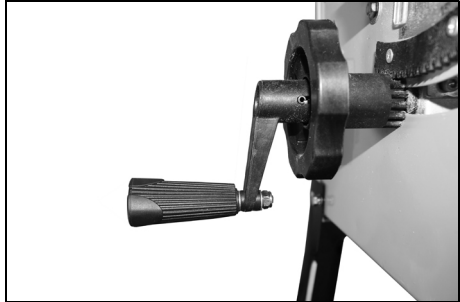


INSTALL THE HEIGHT ADJUSTING HANDLE

1. Remove the nut and washers from the handle.

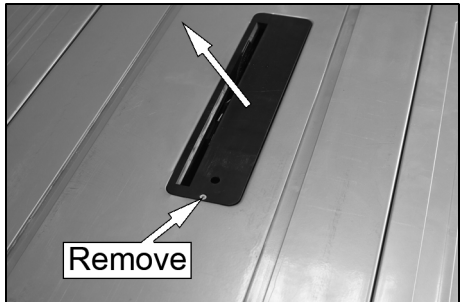


2. Place one washer back on the handle.
3. Pass the handle through the arm as shown and secure in place using the remaining washer and nut.
 - Do not overtighten, the handle must turn freely.



INSTALL THE RIVING KNIFE

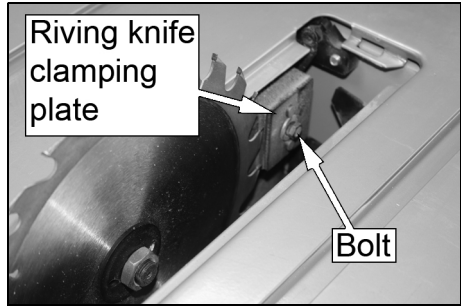
1. Remove the table insert screw and lift out the table insert.



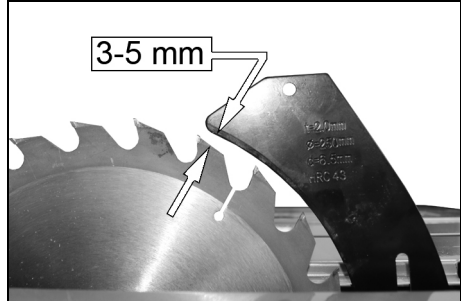
2. Turn the blade height adjusting handle clockwise to raise the blade fully.



3. Loosen the bolt on the riving knife clamping plate by a few turns.



4. Place riving knife behind the clamp and push it all the way down.
5. Adjust the riving knife until there is a 3-5 mm gap between the riving knife and the saw blade.
6. Tighten the riving knife clamp.
7. Replace the table insert.

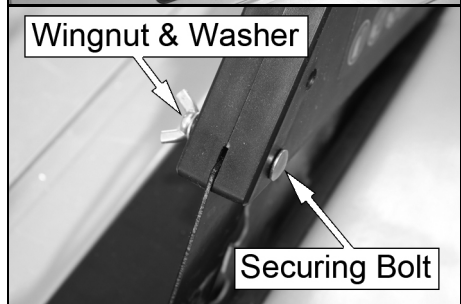


ATTACH THE BLADE GUARD

1. Mount the blade guard on the riving knife as shown.



2. Use the securing bolt to secure the blade guard.
3. Do not overtighten - the blade guard must rise and fall freely.

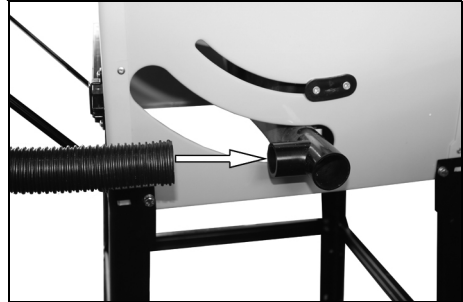


ATTACH THE DUST HOSE

1. Attach the hose to the top of the blade guard.

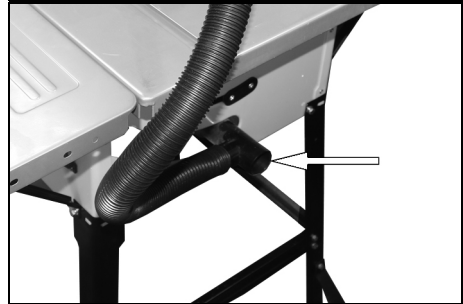


2. Attach the other end of the hose to the dust outlet on the rear of the table saw.



3. Always use a dust extracting device.

- The workplace should also be well ventilated.
- The dust extraction port has an inner diameter of 36 mm and an outer diameter of 40 mm.



RECOMMENDED DUST EXTRACTING DEVICE

- The Clarke CWVE1 Vacuum Extractor is an ideal companion product for your CTS16 Table saw and is available at your local Clarke dealer (part number 6471168).



ADJUSTMENTS

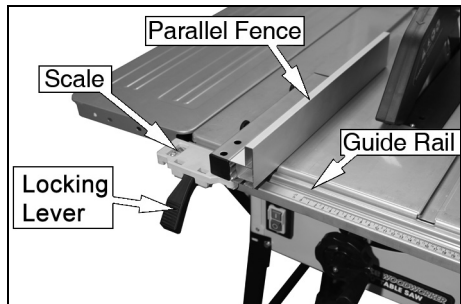
After every new adjustment we recommend you to make a trial cut in order to check the new settings.

PARALLEL FENCE

CUTTING WIDTH

The parallel fence can be mounted on either side of the saw table. If you change the side, you will need to attach the parallel fence to the other side of the holder.

1. Slide the parallel fence into the guide rail of the saw table.
2. Use the scale on the guide rail to set the parallel fence the required distance from the blade.
3. Lock the parallel fence in the required position by pressing down on the locking lever.



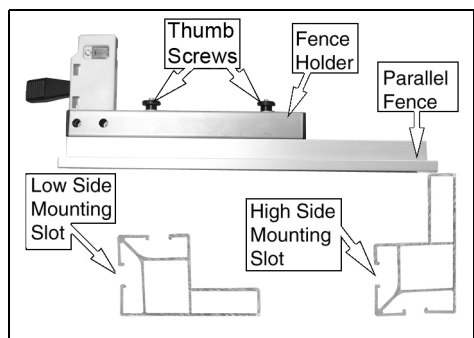
FENCE HEIGHT

The parallel fence has two different guide faces.

- For thick material you should use the high side of the parallel fence.
- For thin material you should use the low side of the parallel fence.

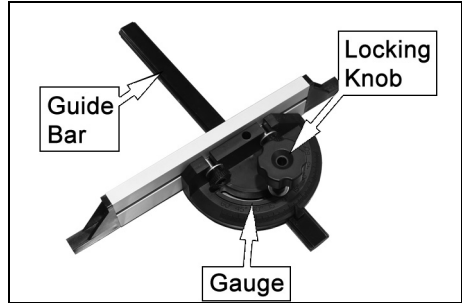
To change the parallel fence from one to the other you have to:

1. Loosen the two thumb screws.
2. Remove the parallel fence from the holder.
3. Remount the parallel fence onto the holder by sliding the securing bolt heads on the holder into the relevant mounting slot in the parallel fence.
4. Retighten the two thumb screws.



MITRE GAUGE

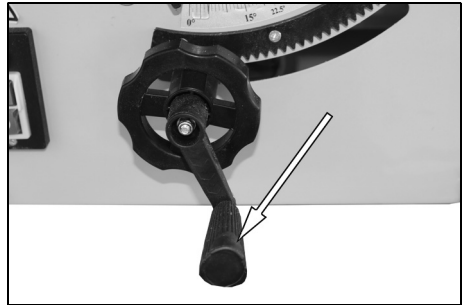
1. Insert the guide bar into one end of the groove on the table.
2. Loosen the locking knob by twisting it counterclockwise.
3. Rotate the gauge to the angle you want.
4. Retighten the locking knob.



SETTING BLADE HEIGHT

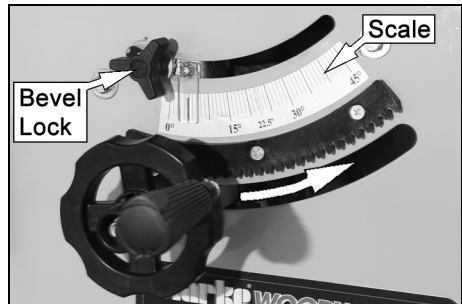
Turn the blade height adjusting handle to set the blade to the required height.

- Clockwise to raise the blade.
- Anti-clockwise to lower the blade.



SETTING THE BLADE ANGLE

1. Loosen the bevel lock.
2. Grasp the blade height adjustment wheel and move it so that the pointer is aligned with the required angle shown on the scale.
3. Lock the blade at the desired angle by retightening the bevel lock.



OPERATION



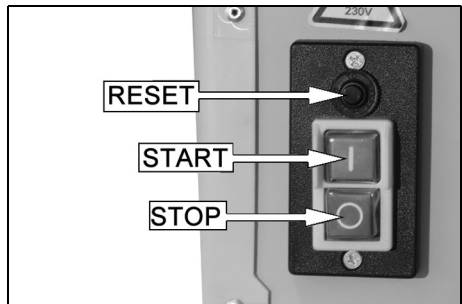
CAUTION: BEFORE STARTING THE SAW ALWAYS CHECK THE FOLLOWING POINTS:

1. Is the saw blade firmly tightened?
2. Are all the locking levers firmly locked?
3. Is the riving knife aligned with the saw blade?
4. Is the blade guard fitted?
5. Make sure that the fences are not touching the saw blade.
6. Can the blade rotate freely?
7. Are there any wood pieces jammed between the blade and the table insert?
8. Have all loose workpieces been removed from the table saw?
9. Have all the setting tools been removed?
10. Wear protective goggles, ear protection and dust mask.

ON/OFF SWITCH

1. To turn the saw on, press the green start button "I".
 - Wait for the blade to reach its maximum speed before commencing with the cut.
2. To turn the saw off, press the red stop button "0".

NOTE: The blade will spin for several seconds after the machine is switched off.



MOTOR BRAKE

The motor is fitted with a brake which should stop the saw blade in under 10 seconds.

If this time is exceeded, the brake must be repaired by an authorised service centre.

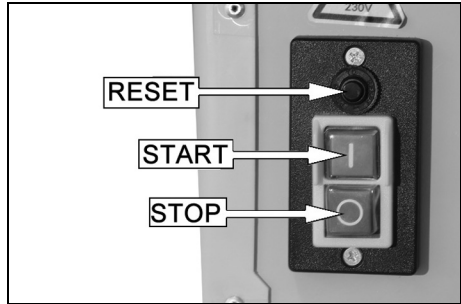
A saw with a defective brake must not be used.

OVERLOAD RESET BUTTON

This table saw has a thermal overload protection device.

If the saw gets too hot, the thermal overload device cuts the power which prevents damage to the motor.

If the thermal overload device operates, let the motor cool down for 5 minutes and push the reset button located just above the Start (I) button



If you start the saw and the overload cutout operates again, disconnect from the power supply and have your table saw examined by a qualified service agent.

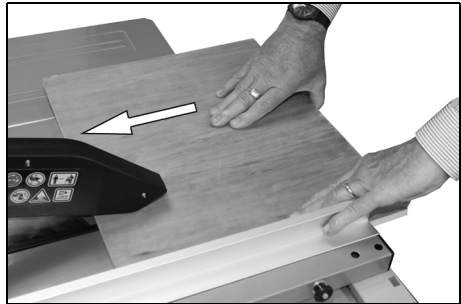
CUTTING TIPS

RIPPING CUTS

Ripping is when you use the saw to cut along the grain of the wood.

The parallel fence must always be used when making ripping cuts.

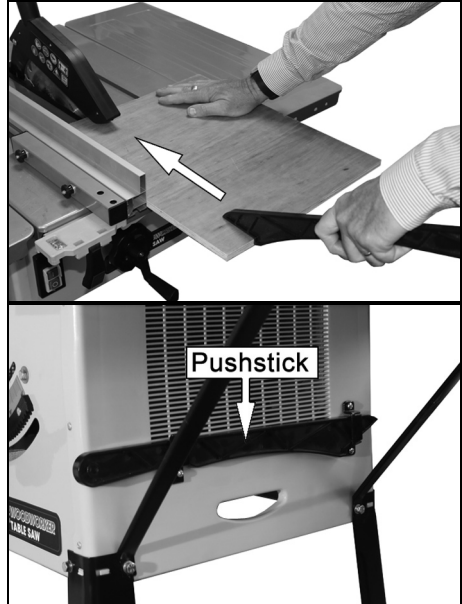
1. Press one edge of the workpiece against the parallel fence while the flat side lies on the saw table.
 - The blade guard must always be lowered over the workpiece and blade.
 - When you make a ripping cut, never stand in line with the blade.
2. Set the parallel fence in accordance with the workpiece height and the desired width.
3. Switch on the saw.
4. Place your hands (with fingers closed) flat on the workpiece and push the workpiece along the parallel fence towards the blade.
5. Guide at the side with your left or right hand (depending on the position of the parallel fence) only as far as the front edge of the blade guard.



6. Always push the workpiece through to the end of the riving knife using a push stick.
7. Do not remove the offcut piece until the blade has stopped spinning.
8. Secure long workpieces against falling off at the end of the cut (e.g. with a roller stand etc.).

CUTTING NARROW WORKPIECES

Always use a push stick when the workpiece is smaller than 120 mm in width.



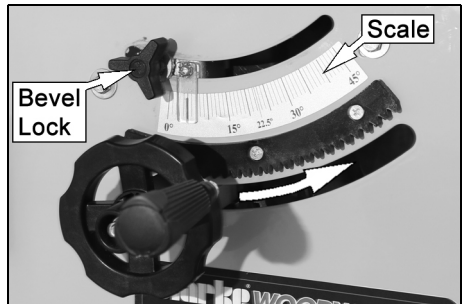
When not in use, place the push stick in its storage clip on the side of the saw.

Replace a worn or damaged push stick immediately.

BEVEL CUTS

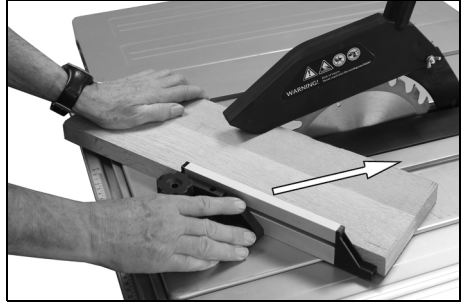
Bevel cuts must always be made using the parallel fence.

1. Loosen the bevel lock.
2. Select the desired angle on the scale.
3. Retighten the bevel lock to lock the blade at the selected angle.
4. Set the parallel fence.
5. Perform the cut as you would for a ripping cut.



CROSS CUTS

1. Slide the mitre gauge into one of the grooves in the table.
2. Adjust the mitre gauge to the required angle.
3. Press the workpiece firmly against the mitre gauge.
4. Switch on the saw.
5. Push the mitre gauge and the workpiece toward the blade to make the cut.



IMPORTANT: Always hold the guided part of the workpiece. Never hold the part which is to be cut off.

6. Push the mitre gauge forward until the workpiece is cut all the way through.
7. Switch off the saw. Do not remove the offcut until the blade has stopped rotating.

TRANSPORTING

1. Turn the table saw off and disconnect it from the power supply before it is moved
2. At least two people should carry the saw. Do not lift using the table extensions. only use the hand holds for moving this table saw. These are found in the housing on both sides of the main body.
3. Protect the saw against knocks, jolts and strong vibrations. e.g. when it is transported in motor vehicles.
4. Secure the saw against tilting and sliding.
5. Never hold the blade guard when lifting the table saw.

STORAGE

- Store the table saw in a dry place well out of reach of children.

MAINTENANCE



WARNING: REMOVE THE PLUG FROM THE MAINS POWER SUPPLY BEFORE CARRYING OUT ANY ADJUSTMENT, SERVICING OR MAINTENANCE.

CLEANING



WARNING: THE TABLE SAW MUST NOT BE SPRAYED WITH WATER OR PLACED IN WATER OTHERWISE THERE IS A RISK OF ELECTRIC SHOCK.

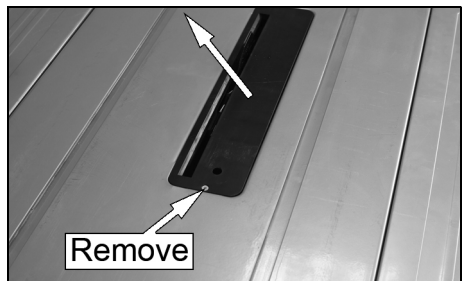
- Keep the safety devices, air vents and motor housing as free of dust and dirt as possible. Wipe all dust off with a clean cloth or blow it out with compressed air at a low pressure.
- We recommend that you clean the saw immediately after every use.
- Clean the saw regularly with a damp cloth and some soft soap. Do not use any detergents or solvents; these might attack the plastic parts. Make sure that no water can get into the interior of the saw.
- Motor bearings are sealed for life and do not require oiling.

CHANGING THE BLADE



WARNING: REMOVE THE PLUG FROM THE MAINS SUPPLY BEFORE CARRYING OUT ANY ADJUSTMENT, SERVICING OR MAINTENANCE

1. Turn the blade height adjusting handle clockwise to raise the blade fully.
2. Remove the table insert screw and lift out the table insert.



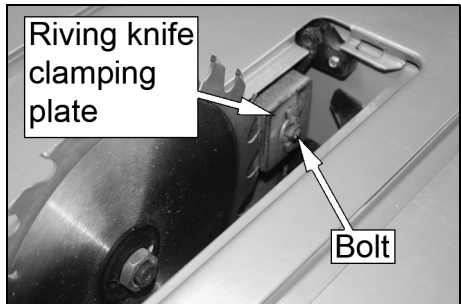
3. Undo the blade retaining nut using the wrench and spindle key supplied as shown.
4. Take off the nut and outer flange and remove the old saw blade.
 - Replacement blades are available from our parts department (part number ZLGCTS16114).



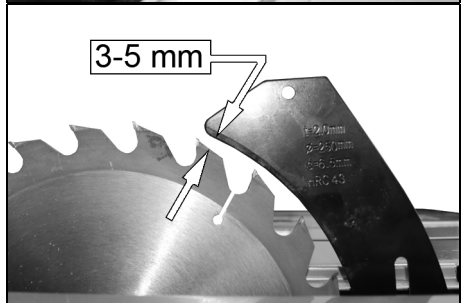
5. Clean the blade flange faces thoroughly before fitting the new blade.
6. Mount and fasten the new blade in reverse order.

IMPORTANT: Note the running direction. The cutting angle of the teeth must point in the running direction, i.e. forwards (see the arrow on the blade guard).

7. Loosen the bolt on the riving knife clamping plate by a few turns.



8. Adjust the riving knife until there is a 3-5 mm gap between the riving knife and the saw blade.
9. Tighten the riving knife clamp.
10. Replace the table insert.
11. Replace the saw blade guard.



12. Check to make sure that all components are properly mounted and in good working condition, before you begin working with the saw again.



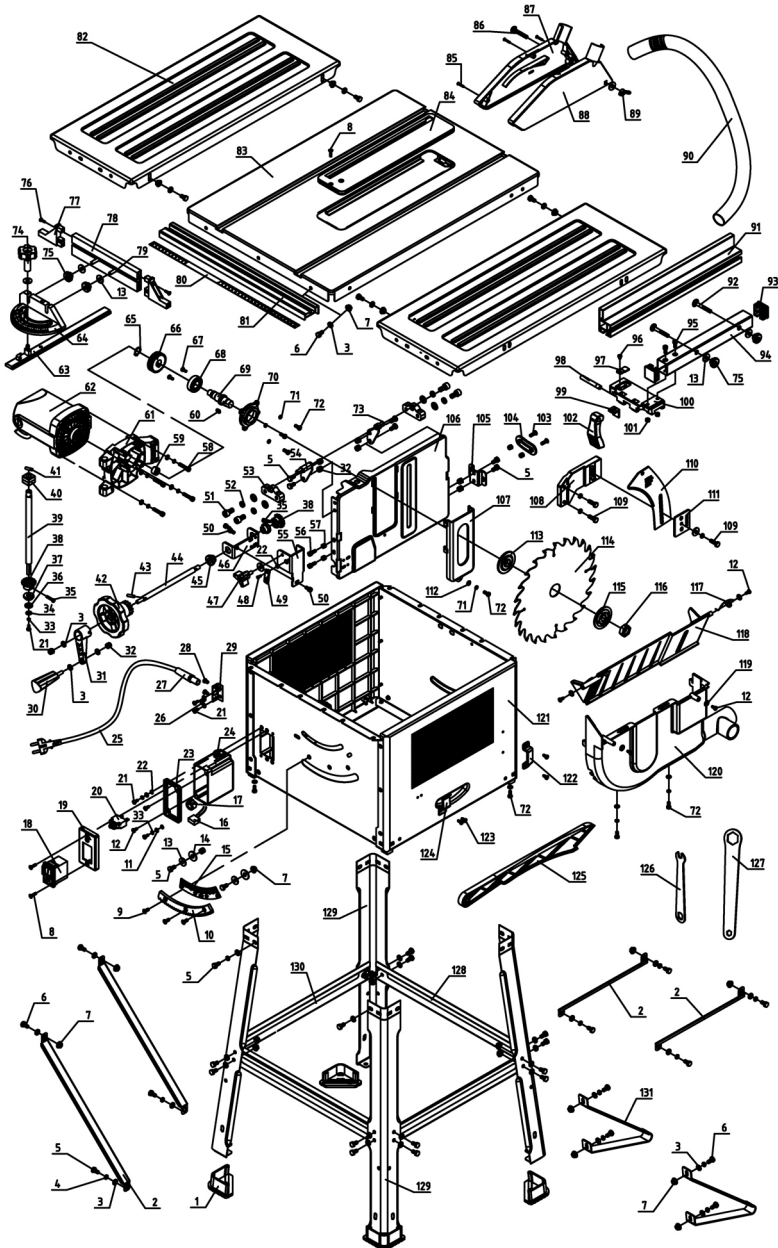
WARNING: RESET THE RIVING KNIFE EACH TIME THE SAW BLADE IS REPLACED (STEP 7 ABOVE).

SPECIFICATIONS

Voltage	230V AC / 50Hz
Power input	1600 W
No-load speed	4100 rpm
Overload protection	Yes
Table size with extension:	960 mm x 640 mm
Dust Extractor socket	36 mm (internal) - 40 mm (external)
Blade size:	Outside Diameter 250 mm
	Bore Diameter 30 mm
	Thickness 2.4 mm
Maximum cut depth @ 90 degrees	73 mm
Maximum cut depth @ 45 degrees	53 mm
Machine weight:	22.5 kg
Sound pressure level LpA	96.2 dB (A)
Sound power level LWA:	109.2 dB (A)
Duty Cycle	S6 40% 5mins

Please note that the details and specifications contained herein, are correct at the time of going to print. We reserve the right to change specifications at any time without prior notice.

PARTS DIAGRAM AND LIST



1	Rubber Foot	ZLGCTS16001
2	Side Table Support	ZLGCTS16002
3	Washer 6	ZLGCTS16003
4	Spring Washer 6	ZLGCTS16004
5	Bolt 8.8 M6x16	ZLGCTS16005
6	Bolt 8.8 M6x12	ZLGCTS16006
7	Flange Nut M6	ZLGCTS16007
8	Screw M4x16	ZLGCTS16008
9	Screw M5x12	ZLGCTS16009
10	Rack	ZLGCTS16010
11	Washer 4	ZLGCTS16011
12	Screw ST4.2x9.5	ZLGCTS16012
13	Big Washer 6	ZLGCTS16013
14	Limifing Washer	ZLGCTS16014
15	Scale	ZLGCTS16015
16	Capacitor	ZLGCTS16016
17	Magnetic ring	ZLGCTS16017
18	Switch	ZLGCTS16018
19	Swich Fixing Cover	ZLGCTS16019
20	Overcurrent Protec- tor "	ZLGCTS16020
21	Screw M4x10	ZLGCTS16021
22	Lockwasher 4	ZLGCTS16022
23	Gasket	ZLGCTS16023
24	Switch Box	ZLGCTS16024
25	EU Plug& Cable	ZLGCTS16025
26	Cable Clamp	ZLGCTS16026
27	Cable Gland	ZLGCTS16027
28	Screw M5x8	ZLGCTS16028
29	Cable Fixing Plate	ZLGCTS16029
30	Handle	ZLGCTS16030
31	Rocker	ZLGCTS16031
32	Lock Nut M6	ZLGCTS16032
33	Spring Washer 4	ZLGCTS16033
34	Big Washer 4	ZLGCTS16034
35	Screw M4x20	ZLGCTS16035
36	Washer 8	ZLGCTS16036
37	Strut Spacer Bush	ZLGCTS16037
38	Bevel Gear	ZLGCTS16038

39	Motor Adjusting Shaft	ZLGCTS16039
40	Motor Stop Block	ZLGCTS16040
41	Roll Pin 3*16	ZLGCTS16041
42	Hand Wheel	ZLGCTS16042
43	Roll Pin 4*22	ZLGCTS16043
44	Adjusting Wheel Axle	ZLGCTS16044
45	Support Bush	ZLGCTS16045
46	Support Bracket II	ZLGCTS16046
47	Star Knob M6X15	ZLGCTS16047
48	Screw M4x12	ZLGCTS16048
49	Pointer	ZLGCTS16049
50	Screw (Zn) M5*10	ZLGCTS16050
51	Screw M8*16	ZLGCTS16051
52	Spring Washer 8	ZLGCTS16052
53	Shaft Holder	ZLGCTS16053
54	Shaft Fixing 1	ZLGCTS16054
55	Support Bracket I	ZLGCTS16055
56	Screw (Zn) M5*14	ZLGCTS16056
57	Lock Nut M5	ZLGCTS16057
58	Screw M5*25	ZLGCTS16058
59	Needle Roller Bear- ing	ZLGCTS16059
60	Flat Key A 5*10	ZLGCTS16060
61	Motor Holder	ZLGCTS16061
62	Motor	ZLGCTS16062
63	Guiding Rod	ZLGCTS16063
64	Mifer Gauge	ZLGCTS16064
65	Circlip 15	ZLGCTS16065
66	Driven Gear	ZLGCTS16066
67	Pan Head Screw M4*10	ZLGCTS16067
68	Bearing 6003-2RS	ZLGCTS16068
69	Bearing Seat Shaft	ZLGCTS16069
70	Bearing Seat	ZLGCTS16070
71	Spring Washer 5	ZLGCTS16071
72	Screw M5*12	ZLGCTS16072
73	Shaft Fixing 2	ZLGCTS16073
74	Lock Knob	ZLGCTS16074
75	Locknut	ZLGCTS16075

76	Screw ST3.5*13	ZLGCTS16076
77	End Cap	ZLGCTS16077
78	Cross Stop	ZLGCTS16078
79	Bolt M6*25	ZLGCTS16079
80	Main Scale	ZLGCTS16080
81	Front Rail	ZLGCTS16081
82	Table Extension	ZLGCTS16082
85	Screw ST2.9*19	ZLGCTS16085
86	Bolt M6*40	ZLGCTS16086
87/88	Guard	ZLGCTS16087/88
89	Wing Bolt	ZLGCTS16089
90	Extraction Hose	ZLGCTS16090
91	Rip Fence	ZLGCTS16091
92	Bolt M6*45	ZLGCTS16092
93	End Cap For Square Tube	ZLGCTS16093
94	Square Tube	ZLGCTS16094
95	Screw M5*12	ZLGCTS16095
96	Screw ST4*6	ZLGCTS16096
97	Magnifier	ZLGCTS16097
98	Axle	ZLGCTS16098
99	Lock Pad	ZLGCTS16099
100	Sliding Seat	ZLGCTS16100
101	Nut M5	ZLGCTS16101
102	Lock Handle	ZLGCTS16102
103	Screw M5*16	ZLGCTS16103
104	Fixing Block	ZLGCTS16104
105	Fixing Clamp	ZLGCTS16105
106	Mounting Plate	ZLGCTS16106
107	Dustproof Cover	ZLGCTS16107
108	Connecting Plate	ZLGCTS16108
109	Bolt 8.8 M6*16	ZLGCTS16109
110	Riving Knife	ZLGCTS16110
111	Pressing Plate	ZLGCTS16111
112	Washer 5	ZLGCTS16112
113	Pressure Kit	ZLGCTS16113
114	Saw Blade Z24	ZLGCTS16114
115	Blade Pressing Plate	ZLGCTS16115
116	Thin Nut M16	ZLGCTS16116
117	Torsion Spring	ZLGCTS16117

118	Splash Guard	ZLGCTS16118
119	Washer 4	ZLGCTS16119
120	Blade Guard	ZLGCTS16120
121	Housing	ZLGCTS16121
123	Screw ST4.2*9.5	ZLGCTS16123
125	Push Stick	ZLGCTS16125
126	Saw Blade Spindle Key	ZLGCTS16126
127	Open-ended Wrench	ZLGCTS16127
128	Longitudinal Strut	ZLGCTS16128
129	Leg	ZLGCTS16129
130	Cross Strut	ZLGCTS16130
131	Stability Bar	ZLGCTS16131

DECLARATION OF CONFORMITY



Clarke[®]
INTERNATIONAL

Hemncall Street, Epping, Essex CM16 4LG

DECLARATION OF CONFORMITY

This is an important document and should be retained.

We hereby declare that this product(s) complies with the following directive(s):

- 2006/42/EC *Machinery Directive.*
2014/30/EU *Electromagnetic Compatibility Directive.*
2011/65/EU *Restriction of Hazardous substances.*

The following standards have been applied to the product(s):

- EN 61029-1:2009+A11:2010, EN 61029-2-1:2012, EN 55014-1:2006+A1+A2:2011,
EN 55014-2:2015, EN 61000-3-2:2014, EN 61000-3-3:2013, EN ISO 12100:2010.*

The technical documentation required to demonstrate that the product(s) meet(s) the requirement(s) of the aforementioned directive(s) has been compiled and is available for inspection by the relevant enforcement authorities.

The CE mark was first applied in: 2018

Product Description: 10Inch Table Saw including Stand
Model number(s): CTS16
Serial / batch Number: N/A
Date of Issue: 08/03/2018

Signed:

J.A. Clarke
Director

A SELECTION FROM THE VAST RANGE OF

Clarke®

QUALITY PRODUCTS

AIR COMPRESSORS

From DIY to industrial, Plus air tools, spray guns and accessories.

GENERATORS

Prime duty or emergency standby for business, home and leisure.

POWER WASHERS

Hot and cold, electric and engine driven - we have what you need

WELDERS

Mig, Arc, Tig and Spot. From DIY to auto/industrial.

METALWORKING

Drills, grinders and saws for DIY and professional use.

WOODWORKING

Saws, sanders, lathes, mortisers and dust extraction.

HYDRAULICS

Cranes, body repair kits, transmission jacks for all types of workshop use.

WATER PUMPS

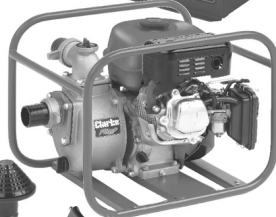
Submersible, electric and engine driven for DIY, agriculture and industry.

POWERTOOLS

Angle grinders, cordless drill sets, saws and sanders.

STARTERS/CHARGERS

All sizes for car and commercial use.



PARTS & SERVICE: 0208 988 7400

E-mail: Parts@clarkeinternational.com or Service@clarkeinternational.com

SALES: UK 01992 565333 or Export 00 44 (0)1992 565335

Clarke® INTERNATIONAL Hemnall Street, Epping, Essex CM16 4LG
www.clarkeinternational.com